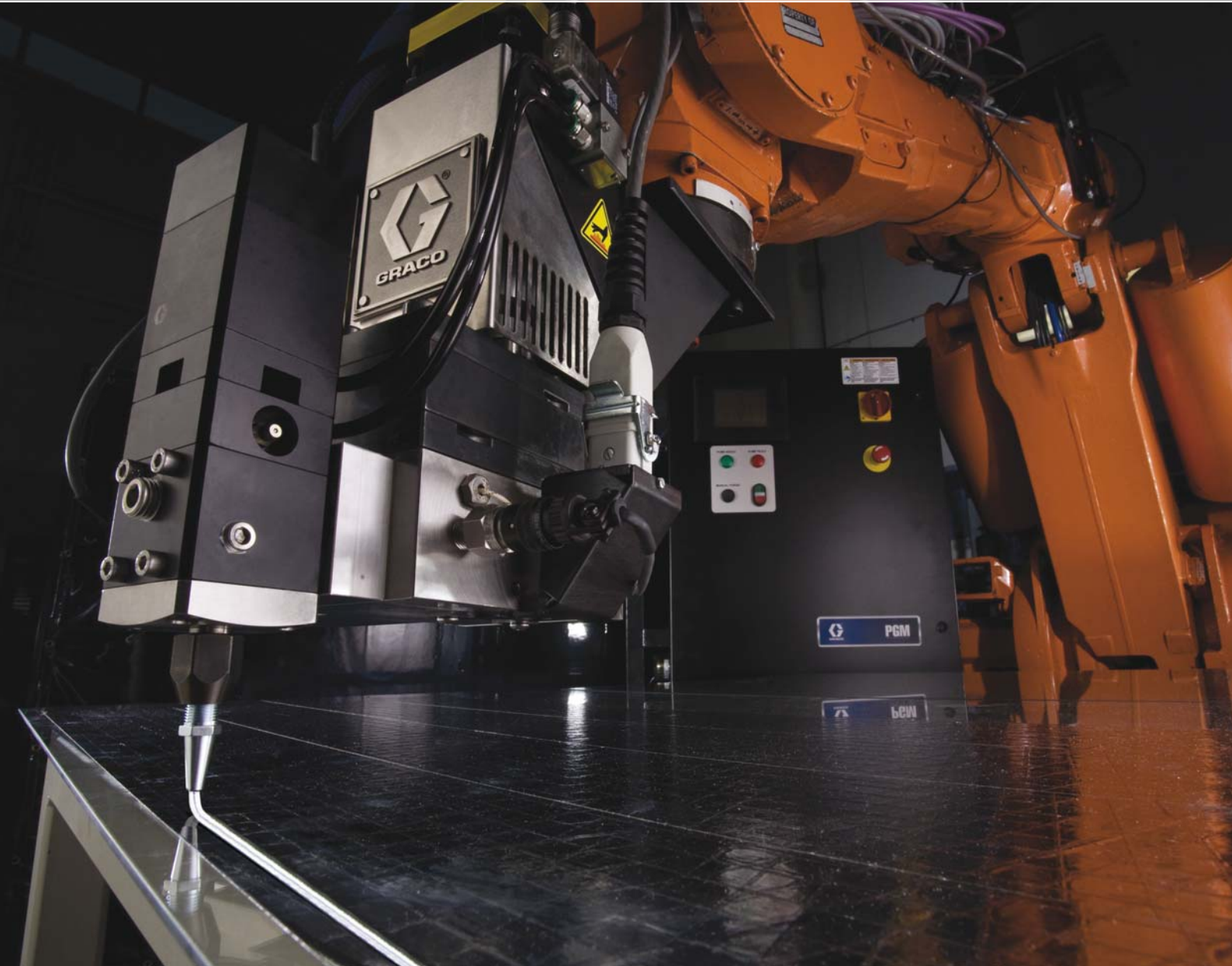




PGM Metering System

Precision Gear Metering Dispense System
for Sealants and Adhesives



Provides precise metering and ultimate control for smooth, consistent bead and ribbon dispensing

- Provides high flow rates with high-viscosity hot melt materials
- Offers precise starts and stops
- Touch-screen controls are easy to use, easy to integrate

PROVEN QUALITY. LEADING TECHNOLOGY.

Graco PGM Metering System

Boost productivity with superior bead control and high flow rates

The rules have changed

The Graco PGM Metering System™ provides precise metering and ultimate control for delivering smooth, consistent bead dispense. Precision dispense combined with high flow rates – even with high viscosity materials – means you can dramatically improve production rates and ROI within your operation.

Bead control saves material costs

Gear meters are used to control bead dispense where application control is most critical. The PGM offers precise starting and stopping, minimizing “stringers” and “snakeheads.” Precision dispense means less wasted material and savings on material costs. It also means less scrap and fewer wasted parts.

Machine-mountable design assures precise dispense control

The PGM can be mounted at the point of dispense for an extremely accurate dispense.

High flow rates improve your production capacity

With the higher flow rates of the Graco PGM, you can achieve greater productivity in your manufacturing process.

Materials

- Ambient, warm melt and hot melt materials to 204°C (400°F)
- Low to high-viscosity materials
- Unlimited volume

Applications

Solar panel manufacturing:

- Polyisobutylene (PIB) perimeter seal
- Dessicated butyl
- Silicone secondary seal

Automotive manufacturing:

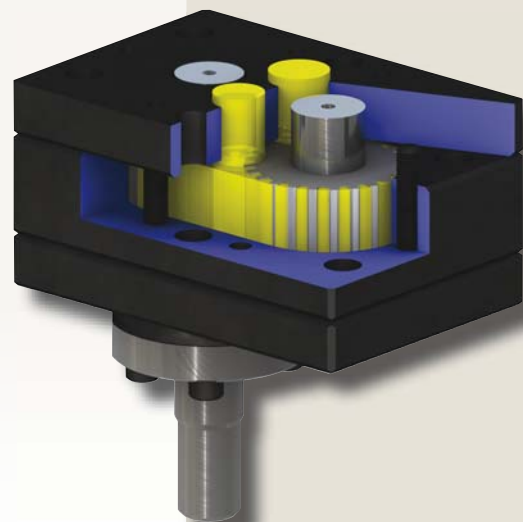
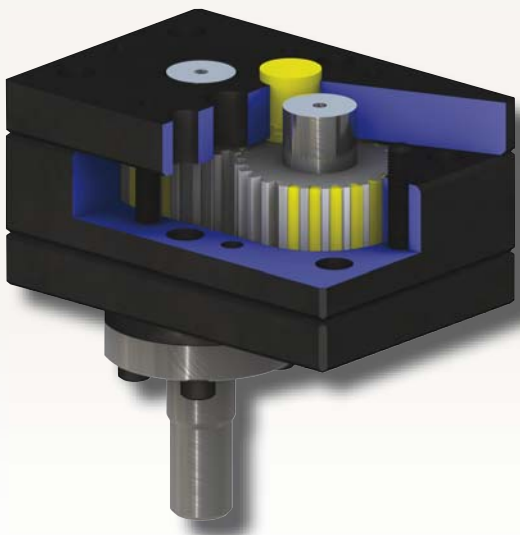
- Urethane windshield sealants
- Robotized front and rear windows sealing line
- Headliner assembly

Window and door manufacturing:

- Insulated glass

General assembly:

- Any process requiring a precise bead or ribbon profile
- Appliances
- Filters
- Electronics
- Small engine gaskets

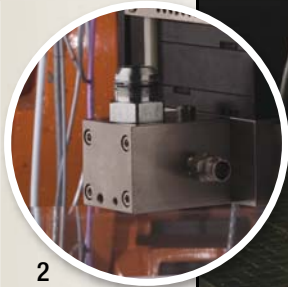


Yellow = Fluid Flow

Gear metering technology



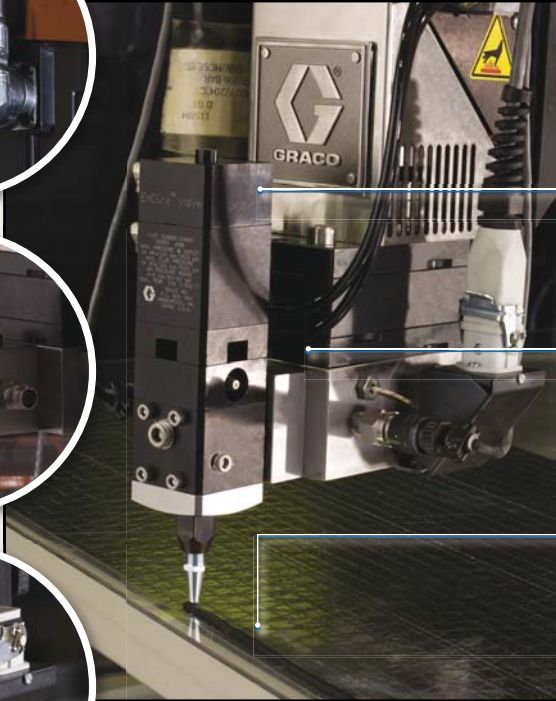
1



2



3



Compact, fixed or machine-mountable design

Positive displacement gear pump technology provides superior, consistent bead and ribbon profile quality

Delivers clean starts and stops for less material waste

1. Communication from the command center provides precise control for the servo drive.
2. Material enters the manifold vertically, allowing the gearhead to rotate during a dispense
3. Robust power and sensor connections create a reliable system

Operator-friendly touch-screen controls

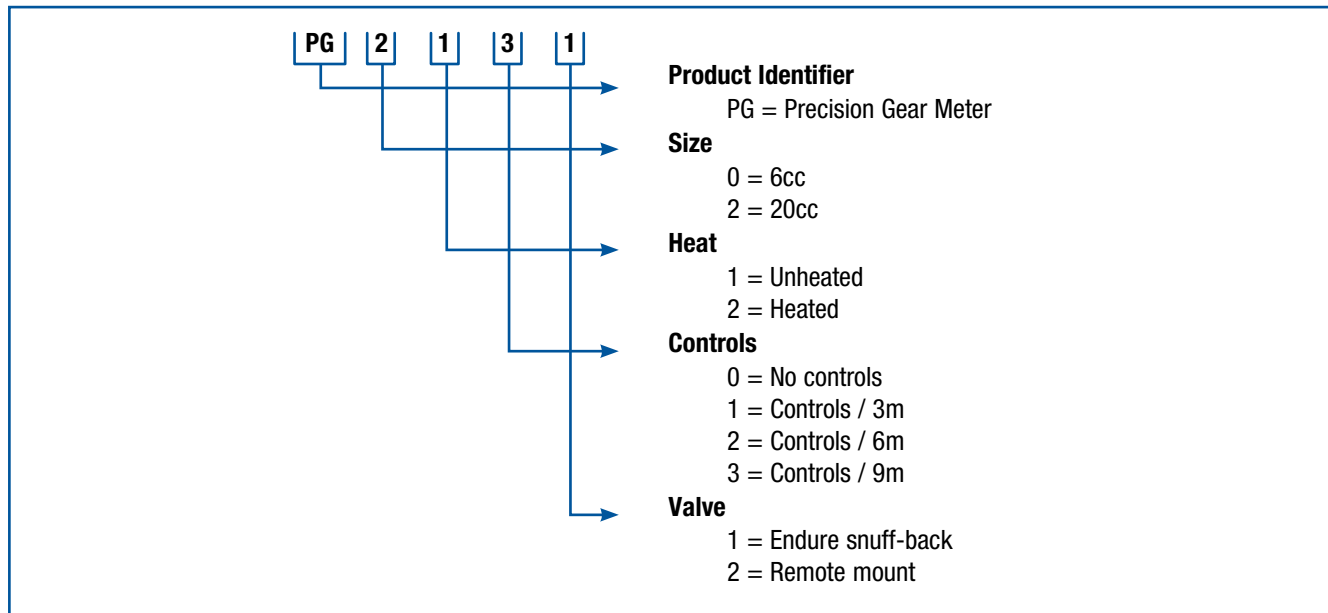
- Easy-to-use controls reduce training time
- Integrated self-diagnostics and serviceable design make service quick and easy
- Easy to integrate the system into your plant
- Controls and monitors dispense



Technical Specifications

Everything you need to make an informed decision

Selection Matrix



Flow rates*

Max. (6 cc/rev Pump)	480 cc/min
Max. (20 cc/rev Pump)	1600 cc/min

Max. fluid working inlet pressure 103.42 bar, 10.34 MPa (1500 psi)

Max. fluid working outlet pressure 172.36 bar, 17.24 MPa (2500 psi)

Air supply pressure range 7 bar, 0.7 MPa (60-100 psi) - filtration required

Fluid filtration 200 mesh minimum

Weight

6 cc/rev Pump	13.61 kg
20 cc/rev Pump	27.22 kg

Fluid viscosity range* 1000 - 1,000,000 cps

Wetted parts

Stainless steel, tool steel, aluminum,
chrome, carbide, acetal plastic, PTFE, chemical resistant O-rings

Power requirements Full load 18.5A, fuse rating 21A

Power supply voltage range 240VAC, 50-60 Hz, 1-ph

Operating temperature range

Heated Pump	4 to 204°C (40 to 400°F)
Ambient Pump	4 to 49°C (40 to 120°F)

Dimensions

6 cc/rev Pump	50.17 x 23.83 x 16.76 cm
20 cc/rev Pump	55.25 x 24.13 x 22.6 cm

* Flow rates and viscosities are general estimates.

Ordering Information

Everything you need to make an informed decision

Remote Dispense Valves

243694.....	Heated Dispense Valve
244951.....	Endure™ Valve, Heated, 1/2 in npt male outlet
244909.....	Endure Valve, Heated

Fixed Dispense Valves

244907.....	Endure Valve
-------------	--------------

Parts and Accessories

24D824	Automation I/O Cable
24E654.....	Ribbon Nozzle Kit, 10 x 1.5 mm
24E655.....	Bead Nozzle Kit, 3 mm dia
24E575.....	Dynamic Air Regulator for TOF
24E607.....	Gear Pump Seals, 6 cc
24E619.....	Gear Pump Seals, 20 cc
24E677.....	O-ring Kit, 6 cc
24E626.....	O-ring Kit, 20 cc
24E678.....	Heated Nest, Pilot
24E679.....	Heated nest, Ribbon or Bead

HOSES		<i>*indicates PTFE hose, all others Buna-N</i>					
		HOT MELT				AMBIENT	
		-8 3/4"-16 JIC	-10 7/8"-14 JIC	-12 1-1/16"-12 JIC	-16 1-5/16"-12 JIC	3/8"	1/2"
Hose length	6 ft	None	115875	None	115884	109163	626723
	10 ft	115873	115876	115880	115885	117821	215441
	15 ft	None	None	None	None	109165 685602*	511381*
FITTINGS		<i>+ indicates swivel</i>					
PGM Inlet (-16 SAE)	None	None	124238	124239 124243+ 124236 (90°)	None	None	None
PGM Outlet (3/4" npt)	124286	C20595	15M863	107127	124290+	124289+	124289+
Dispense Valve Inlet	124287	C20768	107052	124288	158256+	190451+	190451+

Optional Bulk Supply Systems

WARM MELT

Precision Temperature Control

Designed specifically for warm melt materials and temperature conditioning applications, Graco Warm Melt Supply Systems deliver superior heat control and performance in a reliable, easy-to-use, easy-to-maintain package. Instead of investing in a custom solution or equipment meant for other applications, Graco Warm Melt Supply Systems offer performance and flexibility at a reasonable price.

Easy to Service

- Smart design and simple features reduce time spent on maintenance
- A turnbuckle raises the air motor for easy maintenance

Precision Temperature Control

- Ensures consistent processes with accurate temperature control
- Modular controls eliminate the unreliability of point-to-point wiring

Check-Mate® Pump

- Quick-disconnect coupler reduces maintenance time

Integrated Drum Air Blow-Off

- Reduces downtime with quick, easy drum changes

Modular Design

- Modular approach lets you configure a system to fit your operation

Display Module

- Intuitive, easy-to-use screen navigation provides simple setup, monitoring and diagnostics

Integrated Air Controls

- Conveniently located easy to see, easy to use

Platen Design

- Modular heaters provide plenty of power without the expense of a custom platen
- Minimizes leftover material and reduces waste
- Long-lasting, one-piece platen seals are easy to replace



HOT MELT

A highly advanced technology on the market

Therm-O-Flow solutions are amongst the best performing industrial bulk melt systems on the market. Therm-O-Flow's advanced temperature control virtually eliminates overshoot of temperature, resulting in better adhesive quality and reduced rework due to damaged material. Graco offers a complete line of Therm-O-Flow bulk melt systems – each configured to fit your specific application.

Therm-O-Flow 200

(Advanced model shown)

Ethernet Connection

Provides remote reporting capabilities

Maintenance Call Button

Maximizes productivity by signaling maintenance crew

EasyKey™ Controls

Easy-to-use, eye-level controls improve set up and operation, speeding up production

Integrated Drum Air Blow Off

Reduces downtime with quick, easy drum changes

Precision Temperature Control

Ensures consistent processes with accurate temperature control of up to 12 zones

Easy Access Air Controls

Lets you control motor, ram and blow-off air independently from front panel

Light Tower

Lets operator know the unloader status from a distance, indicating readiness, alarms and warnings to reduce downtime

NXT™ Air Motor

Provides quieter operation, better performance and improved efficiency

Large Ram Cylinders

Increases pump loading and flow rate capability

Severe-Duty Check-Mate® Pump

For trouble-free long life and reliable material movement with minimal pressure drop

Heated Platen

Provides industry-leading melt rates and easy clean up



Therm-O-Flow 200

- The ultimate hot melt bulk system
- Six to eight zones standard, up to 12 heat zones with an optional four-zone expansion box
- Main unit easily integrated with a second Therm-O-Flow 200 or Therm-O-Flow 20 for tandem operation



Therm-O-Flow 20/NXT

- Perfect for 20 l applications where high performance is still needed
- Double the power for high melt rate needs
- Allows accurate temperature control of six zones (standard). Up to 10 heat zones with an optional four-zone expansion box
- Main unit easily integrated with a second Therm-O-Flow 200 or Therm-O-Flow 20 for tandem operation



ABOUT GRACO

Founded in 1926, Graco is a world leader in fluid handling systems and components. Graco products move, measure, control, dispense and apply a wide range of fluids and viscous materials used in vehicle lubrication, commercial and industrial settings.

The company's success is based on its unwavering commitment to technical excellence, world-class manufacturing and unparalleled customer service. Working closely with qualified distributors, Graco offers systems, products and technology that set the quality standard in a wide range of fluid handling solutions. Graco provides equipment for spray finishing, protective coating, paint circulation, lubrication, and dispensing sealants and adhesives, along with power application equipment for the contractor industry. Graco's ongoing investment in fluid management and control will continue to provide innovative solutions to a diverse global market.

GRACO LOCATIONS

CONTACT

MAILING ADDRESS

P.O. Box 1441
Minneapolis, MN 55440-1441
Tel: 612.623.6000
Fax: 612.623.6777

AMERICAS

MINNESOTA

Worldwide Headquarters
Graco Inc.
88-11th Avenue N.E.
Minneapolis, MN 55413

EUROPE

BELGIUM

European Headquarters
Graco N.V.
Industrieterrein-Oude Bunders
Slakweidestraat 31
3630 Maasmechelen,
Belgium
Tel: 32.89.770.700
Fax: 32.89.770.777

ASIA PACIFIC

JAPAN

Graco K.K.
1-27-12 Hayabuchi
Tsuzuki-ku
Yokohama City, Japan 2240025
Tel: 81.45.593.7300
Fax: 81.45.593.7301

ASIA PACIFIC

CHINA

Graco Hong Kong Ltd.
Representative Office
Room 118 1st Floor
No.2 Xin Yuan Building
No.509 Cao Bao Road
Shanghai, P.R. China 200233
Tel: 86.21.649.50088
Fax: 86.21.649.50077

ASIA PACIFIC

KOREA

Graco Korea Inc.
Choheung Bank Building
4th Floor #1599
Gwanyang-Dong, Dongan-Ku,
Anyang-Si, Gyunggi-Do,
Korea 431-060
Tel: 82(Korea).31.476.9400
Fax: 82(Korea).31.476.9801

All written and visual data contained in this document are based on the latest product information available at the time of publication.
Graco reserves the right to make changes at any time without notice.

Graco is certified ISO 9001.

Europe
+32 89 770 700
FAX +32 89 770 777
WWW.GRACO.COM