

# DEVILBISS

EN



SB-E-25.0510 ISS.05

CE

## Technical Bulletin

# Pro VISOR



# Table of Contents

<b>Topic</b>	<b>Page</b>
EC Declaration of Conformity	3
Introduction	3
Description	3
Warning	4
Start-Up	4
Warning Device	5
Fitting	5
Visors	5
Maintenance & Cleaning	6
Storage & Transportation	6
Caution	6
Maintenance Record	7
Replacement Parts	8
Exploded Parts View	9
Warranty	10

## **EC Declaration of Conformity**

The unit is 'CE' marked to PPE Directive 89/686/EEC.

EC type examination by:

BSI, Kite mark Court, Davy Avenue, Knowlhill Milton Keynes MK5 8PP U.K. (Notified Body No – 0086)

and conforms to EN 14594:2005 Class 3A. It is fully approved when used in accordance with these instructions.

This unit has a resistance to flammability in accordance with section 6.9 of EN 14594:2005. We recommend the unit to be used between the normal atmospheric temperatures of 0°C to 45°C.

The visor is suitable for use in zones 1 and 2 hazardous areas with gas groups IIA and IIB, Certificate: SR0136



D. Smith, General Manager

2nd August 2012

## **Introduction**

Thank you for choosing the Pro-Visor, we hope it will give many hours of trouble free service. Please read all the following instructions carefully and keep all literature safe as it will be necessary when ordering spares.

The materials used in this helmet have been carefully selected to provide a product of minimum weight and maximum safety. This unit is not designed to protect the operator from falling objects.

None of the materials used are known to have any ill - effects on health or cause any skin irritations.

## **Description**

The compressed air fed Pro-Visor is specifically designed for use in Paint spray applications and will protect the wearer from airborne contaminants during painting. A hose is provided for spray gun connection. It is suitable for use in zones 1 and 2 hazardous areas with gas groups IIA and IIB, Certificate : SR0136, providing the unit is fitted with one tear-off disposable visor (see page 5), and the air supply hose item 12 or 13 (not included) are used, which must be attached to an earthed supply connection.

At all times the user must be able to escape the area without the use of the apparatus.

The unit comes complete with:

1 / Head top/visor assembly with breathing air tube.

2 / Regulator/waist belt assembly with low pressure warning device.

3 / Pack of 2 tear-off disposable visors.

## **Warning**

At very high work rates the pressure inside the device may become negative at peak inhalation flow. Adequate protection may not be provided by this apparatus in certain highly toxic atmospheres.

The air supply hose item 12 or 13 must be used to maintain CE compliance.

Only use DeVilbiss genuine spare parts, to ensure CE approval and safety is maintained.

## **Start-Up**

Prior to use, the head piece air hose must be connected to the connection on the top of the regulator.

Compressed air supply - shall have suitable filters to provide breathing air, compliant with BS EN12021:1999, such as DeVilbiss DVFR-2 or DVFR-8. with no excessive moisture, to avoid freezing of the apparatus, this air must contain no less than 19.5% Oxygen. It is the operators' responsibility to check the air supply. The unit must not be connected to any other gas supply i.e. Acetylene, Oxygen, Nitrogen, Argon, or Oxygen enriched air etc. Care should be taken to ensure the compressor only draws in clean air i.e. site compressor away from vehicle exhausts, ventilation outlets and any other toxic emissions of any nature including Carbon Monoxide.

The user must check that the capacity of the air system is sufficient for every user connected to it, in accordance with these instructions.

Air connection – Air supply hose, item 12 or 13 (not included) should be connected to the bottom of the waist belt regulator, a Working dynamic (air flowing) pressure of 4.0 bar (60 psi) minimum to 7.0 bar (100 psi) maximum is required.

A single hose of 10 metres maximum length from the air supply filtration set is allowed.

Pro-Visor air flow rate 128 - 160 l/min (4.5 - 5.7 SCFM).

Noise level at 160l/min – 69.7db

## **Warning Device**

A whistle is incorporated to warn the operator that an insufficient quantity of breathing air is being supplied to the Pro-Visor. Should the whistle sound during use, the operator should vacate the spraying area immediately with the unit still on and check the air supply, i.e. look for crushed or cut supply hose.

Each time the Pro-Visor is used the device should be checked in a safe area, to do this the headpiece should be worn as normal and the air supply reduced to approximately 1 bar or less, this will cause the whistle to sound, when the pressure is restored to a safe level the whistle silences.

## **Fitting**

Headpiece - The headband is adjustable and operated by a ratchet at the rear. To adjust, pull the knob out, then turn to tension, push to lock. A snug fit around the head sufficient to prevent involuntary movement of the unit is required. The top band is set with a series of adjustment holes.

The elasticated face seal should be pulled under the chin with the tab and touch the face all round. Caution facial hair may prevent the correct fitting and sealing of the headpiece.

The headpiece comes complete with width spacers to ensure a good fit to the head, these can be inter-changed to achieve the most comfortable fit, see exploded view for fitting.

Regulator/waist belt - The belt strap is adjustable at the buckles and the tidy slides prevent the ends hanging loose. The regulator assembly can be located on either side of the waist.

## **Visors**

### (i) Rigid visor

Press the top-centre of the visor from the outside of the unit releasing it from the retaining hook on the inside of the black brow guard, simultaneously rotate the visor down, the visor is released.

To refit the visor, first locate the ends on the mounting bosses, then rotate upwards ensuring the visor goes inside the four location slots in the brow guard. Finally make sure the visor snaps home over the retaining hook.

This rigid visor complies with BS EN14594:2005 section 6.16.2.2.

Do not use the Pro-Visor without a tear-off disposable visor fitted.

### (ii) Tear-off disposable visors

These are supplied in packs of 10 or 50; they are to be fitted one at a time over the brass studs located on the rigid visor.

## **Maintenance and Cleaning**

All components of the Pro-Visor may be cleaned with a damp cloth and mild disinfectant. If the unit is immersed in water the foam on the visor will need time to dry. The unit or parts must be replaced when it no longer gives the operator the original designed protection i.e. a hole or split in the seal or scratches to the rigid visor. No maintenance should be attempted to parts inside the regulator/waist belt assembly covers, except for the activated carbon filter which should be replaced quarterly, (every 3 months). Unscrew the filter cap and then the filter, ensure the seal is on the filter cap when replacing.

The tear off disposable visors should be used to prevent the rigid visor becoming contaminated.

## **Storage & Transportation**

After use, thoroughly clean and dry, place in a bag to protect the unit from dust. It should be stored in a cool dry room at -30°C to +60°C out of direct sunlight.

The visor needs to be transported in the storage bag supplied in a safe manner to maintain the integrity of the unit.

## **Caution**

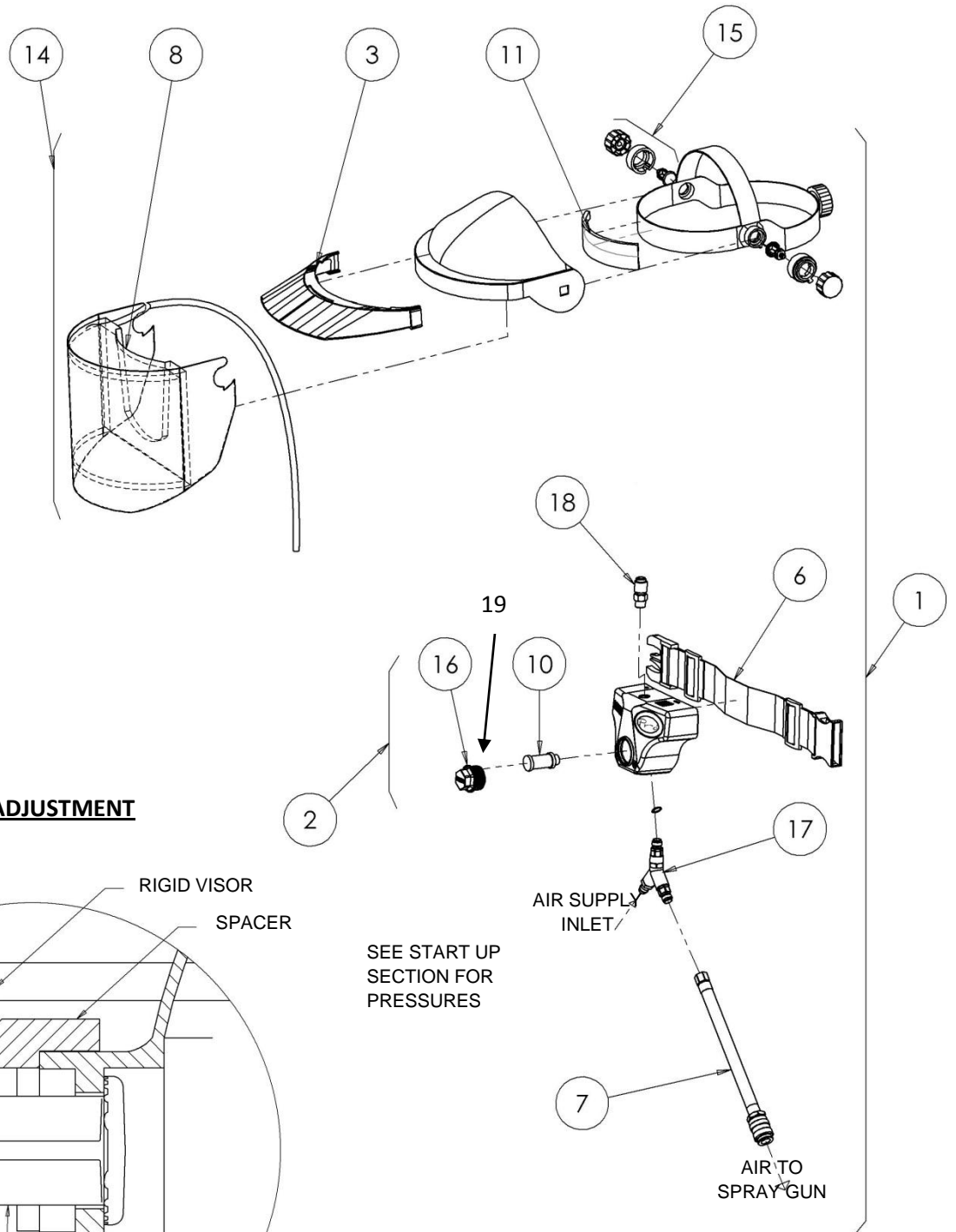
Do not hang the Pro-Visor by the breathing air tube.



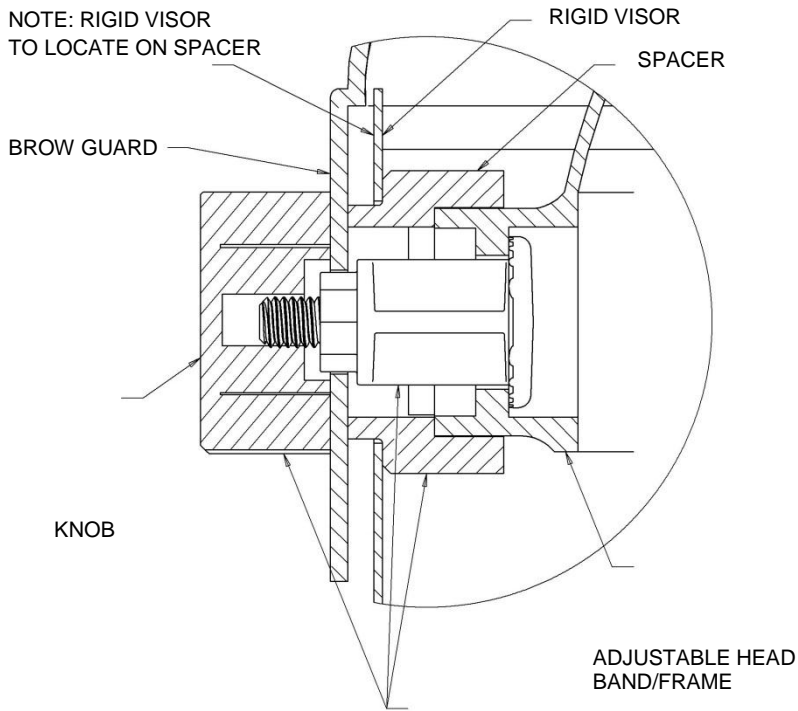
## **Replacement parts:**

Item No.	Part No.	Description
1	PROV-600	Pro-Visor complete unit.
2	PROV-20-K	Belt & Regulator.
3	PROV-21-K	Peak
4	PROV-22-K10	Tear-off visors pack of 10
5	PROV-22-K50	Tear-off visors pack of 50
6	PROV-23-K	Belt and Buckle.
7	PROV-406-K	1.2m Hose (To Spray Gun)
8	PROV-25-K	Rigid acetate visor face seal and air tube.
9	PROV-26-K	Storage bag
10	PROV-27-K4	Filter element (Pack 4)
11	PROV-28-K4	Comfort brow band (Pack 4)
12	H-6085-QD	10m Air hose - 5/16"ID male & female QD's
13	H-6065-B	10m Air hose - 5/16"ID, 1/4" BSP G swivel F connectors
14	PROV-29-K	Visor head piece & Breathing air tube
15	PROV-30-K	Spacer, Stud & Knob (set of all sizes)
16	PROV-31-K	Filter cap & Seal
17	PROV-32-K	Y-Piece Assembly
18	PROV-33-K	QD Connector
19	PROV-34-K4	Filter cap seal (Pack of 4)





**HEAD WIDTH ADJUSTMENT**



ITEM 15. (SEE TABLE)

HEAD WIDTH ADJUSTMENT	
SPACER/STUD COLOUR	HEAD SIZE
RED	SMALL
YELLOW	MEDIUM
GREEN	LARGE
BLACK(NO SPACER REQUIRED)	X-LARGE

## **WARRANTY**

This product is covered by DeVilbiss one year warranty.

Finishing Brands UK Limited,  
Ringwood Road,  
Bournemouth,  
BH11 9LH,  
UK.  
Tel.No. +44 (0)1202) 571111  
Fax No. +44 (0)1202) 581940,  
Website address [http:// www.finishingbrands.eu](http://www.finishingbrands.eu)

Registered office:  
Finishing Brands UK Limited,  
400, Capability Green,  
Luton,  
Bedfordshire,  
LU1 3AE,  
UK.  
Registered in England: No. 07656273  
Vat No. GB 113 5531 50