

PROV-650 SERIES

ProVISOR**IMPORTANT! DO NOT DESTROY**

It is the Customer's responsibility to have all operators and service personnel read and understand this manual.

Contact your local Devilbiss representative for additional copies of this manual.

READ ALL INSTRUCTIONS BEFORE OPERATING THIS DEVILBISS PRODUCT.

Product:	Air Fed Visor
Object of declaration:	PROV-650
Suitable for use in hazardous area:	Zones 1 & 2, gas group IIA
Protection Level:	BS EN 14594:2005 Class 3A. Flow rate 160 - 220 l/min (5.7 - 7.8 SCFM)
Noise Level:	Noise level at 220 l/min < 80 dB(A).
Name and address of the Notified Body - if used:	BSI, Kitemark Court, Davy Avenue, Knowlhill Milton Keynes MK5 8PP U.K. (Notified Body No – 0086)
Name and address of the manufacturer or authorised representative:	Finishing Brands UK Ltd, Ringwood Road, Bournemouth, BH11 9LH. UK

This Declaration of Conformity is issued under the sole responsibility of the manufacturer

EU Declaration of Conformity



The object of the declaration described above is in conformity with the relevant Union harmonisation legislation

Personal Protective Equipment Directive 89/686/EEC

by complying with the following statutory documents and harmonised standards:

EN 14594:2005 Class 3A. It is fully approved when used in accordance with these instructions.

This unit has a resistance to flammability in accordance with section 6.9 of EN 14594:2005. We recommend the unit to be used between the normal atmospheric temperatures of 0°C to 45°C.

Providing all conditions of safe use stated within the product manuals have been compiled with and that the final equipment into which this product is installed has been re-assessed as required, in accordance with essential health and safety requirements of the above standards, directives and statutory instruments and also installed in accordance with any applicable local codes of practice.

D.Smith
19/01/2016

(General Manager)
Finishing Brands UK Ltd
Bournemouth UK

INTRODUCTION

Thank you for choosing the Pro-Visor, we hope it will give many hours of trouble free service. Please read all the following instructions carefully and keep all literature safe as it will be necessary when ordering spares.

The materials used in this helmet have been carefully selected to provide a product of minimum weight and maximum safety. This unit is not designed to protect the operator from falling objects.

None of the materials used are known to have any ill - effects on health or cause any skin irritations.

NOTE

The Pro-Visor is suitable for use in zones 1 and 2 hazardous areas with gas group IIA, providing it is fitted with one tear-off disposable visor (see page 5) and an anti-static air supply hose, item 23 or 24 (not included), is used. The air supply hose must be attached to an earthed supply connection.

FUNCTIONAL DESCRIPTION

The compressed air fed Pro-Visor is specifically designed for use in paint spray applications and will protect the wearer from airborne contaminants during painting. A hose is provided for spray gun connection.

At all times the user must be able to escape the area without the use of the apparatus.

The unit comes complete with:

- Head top/visor assembly with breathing air tube.
- Regulator/waist belt assembly with low pressure warning device.
- Pack of 2 tear-off disposable visors.
- Spanner for filter and cap removal / refit.
- Spacers, studs and knob set.
- Hood.
- Storage bag.
- Service manual.

In this part sheet, the words WARNING, CAUTION and NOTE are used to emphasise important safety information as follows:

EN

⚠ WARNING	⚠ CAUTION	NOTE
Hazards or unsafe practices which could result in severe personal injury, death or substantial property damage.	Hazards or unsafe practices which could result in minor personal injury, product or property damage.	Important installation, operation or maintenance information.
⚠ WARNING		

Read the following warnings before using this equipment.



SOLVENTS AND COATING MATERIALS. Can be highly flammable or combustible when sprayed. Always refer to the coating material supplier's instructions and safety sheets before using this equipment.



INSPECT THE EQUIPMENT DAILY. Inspect the equipment for worn or broken parts on a daily basis. Do not operate the equipment if you are uncertain about its condition.



READ THE MANUAL. Before operating finishing equipment, read and understand all safety, operation and maintenance information provided in the operation manual. Users must comply with all local and national codes of practice and insurance company requirements governing ventilation, fire precautions, operation and house-keeping of working areas.



EQUIPMENT MISUSE HAZARD. Equipment misuse can cause the equipment to rupture, malfunction or start unexpectedly and result in serious injury.



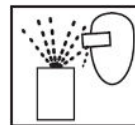
STATIC CHARGE. Fluid may develop a static charge that must be dissipated through proper grounding of the equipment, objects to be sprayed and all other electrically conductive objects in the dispensing area. Improper grounding or sparks can cause a hazardous condition and result in fire, explosion or electric shock and other serious injury.



NEVER MODIFY THE EQUIPMENT. Do not modify the equipment unless the manufacturer provides written approval.



TOXIC VAPOURS. When sprayed, certain materials may be poisonous, create irritation, or are otherwise harmful to health. Always read all labels, safety sheets and follow any recommendations for the material before spraying. If in doubt contact your material supplier.



PROJECTILE HAZARD. You may be injured by venting liquids or gases that are released under pressure, or flying debris.



LOCK OUT / TAG-OUT. Failure to de-energise, disconnect, lock out and tag-out all power sources before performing equipment maintenance could cause serious injury or death.



KNOW WHERE AND HOW TO SHUT OFF THE EQUIPMENT IN CASE OF AN EMERGENCY.



NOISE LEVELS. The A-weighted sound level of pumping and spray equipment may exceed 85 dB(A) depending on equipment settings. Actual noise levels are available on request. It is recommended that ear protection is worn at all times while equipment is in use.



OPERATOR TRAINING. All personnel must be trained before operating finishing equipment.

IT IS THE RESPONSIBILITY OF THE EMPLOYER TO PROVIDE THIS INFORMATION TO THE OPERATOR OF THE EQUIPMENT.

**WARNING**

At very high work rates the pressure inside the device may become negative at peak inhalation flow. Adequate protection may not be provided by this apparatus in certain highly toxic atmospheres.

The air supply hose item 23 or 24 must be used to maintain CE compliance.

Only use DeVilbiss genuine spare parts, to ensure CE approval and safety is maintained.

START-UP**CAUTION**

It is the Customer's responsibility to ensure that this equipment is of suitable design, construction and of satisfactory condition, when considering the intended use.

Prior to use, the headpiece air hose must be connected to the connection on the top of the regulator.

The user must check that the capacity of the air system is sufficient for every user connected to it, in accordance with these instructions.

Air connection – Air supply hose, item 23 or 24 (not included) should be connected to the bottom of the waist belt regulator, a working dynamic (air flowing) pressure of 4.0 bar (60 psi) minimum to 7.0 bar (100 psi) maximum is required.

The maximum working pressure of the air supply hose is 17.0 bar (250 psi).

A single hose of 10 metres maximum length from the air supply filtration set is allowed.

**WARNING**

Compressed air supply - shall have suitable filters to provide breathing air, compliant with BS EN12021:2014, such as DeVilbiss DVFR-2 or DVFR-8. with no excessive moisture, to avoid freezing of the apparatus, this air must contain no less than 19.5% Oxygen. It is the operators' responsibility to check the air supply. The unit must not be connected to any other gas supply i.e. Acetylene, Oxygen, Nitrogen, Argon, Oxygen enriched air etc. or a mobile compressed air supply system. Care should be taken to ensure the compressor only draws in clean air i.e. site compressor away from vehicle exhausts, ventilation outlets and any other toxic emissions of any nature including Carbon Monoxide.

WARNING DEVICE

A whistle is incorporated to warn the operator that an insufficient quantity of breathing air is being supplied to the Pro-Visor. Should the whistle sound during use, the operator should vacate the spraying area immediately with the unit still on and check the air supply, i.e. look for crushed or cut supply hose.

Each time the Pro-Visor is used the device should be checked in a safe area, to do this the headpiece should be worn as normal and the air supply reduced to approximately 1 bar or less, this will cause the whistle to sound, when the pressure is restored to a safe level the whistle silences.

FITTING

- HEADPIECE

The headpiece is adjustable and operated by a ratchet at the rear. To adjust, pull the knob out, then turn to tension, push to lock. A snug fit around the head sufficient to prevent involuntary movement of the unit is required. The top band is set with a series of adjustment holes.

The headpiece comes complete with width spacers to ensure a good fit to the head, these can be interchanged to achieve the most comfortable fit, see exploded view for fitting.



CAUTION

The elasticated face seal should be pulled under the chin with the tab and touch the face all round. Caution facial hair may prevent the correct fitting and sealing of the headpiece.

- REGULATOR / WAIST BELT

The belt strap is adjustable at the buckle and the trislide prevents the end hanging loose. The regulator assembly can be located on either side of the waist.

- RIGID VISOR

This rigid visor complies with BS EN14594:2005 section 6.16.2.2.

To remove or replace the rigid visor, press the top-centre of the visor from the outside of the unit releasing it from the retaining hook on the inside of the black brow guard, simultaneously rotate the visor down, the visor is released.

To refit the visor, first locate the ends on the mounting bosses, and then rotate upwards ensuring the visor goes inside the four location slots in the brow guard. Finally make sure the visor snaps home over the retaining hook.

- TEAR-OFF DISPOSABLE VISORS

These are supplied in packs of 10 or 50; they are to be fitted one at a time over the brass studs located on the rigid visor.



CAUTION

Do not use the Pro-Visor without a tear-off disposable visor fitted.

MAINTENANCE AND CLEANING

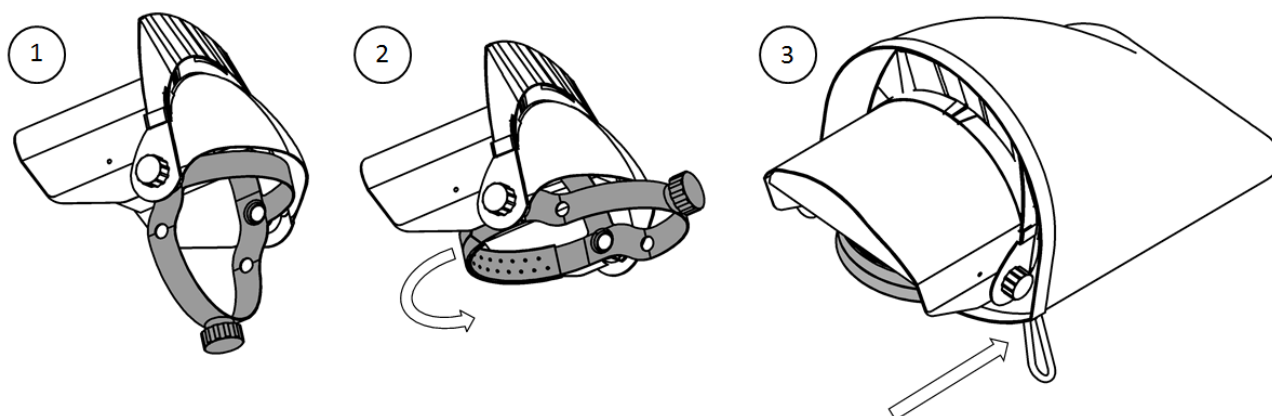
All components of the Pro-Visor may be cleaned with a damp cloth and mild disinfectant. If the unit is immersed in water the foam on the visor will need time to dry. The unit or parts must be replaced when it no longer gives the operator the original designed protection i.e. a hole or split in the seal or scratches to the rigid visor. No maintenance should be attempted to parts inside the regulator/waist belt assembly covers, except for the activated carbon filter which should be replaced quarterly, (every 3 months). Unscrew the filter cap and then the filter, ensure the seal is on the filter cap when replacing.

The tear off disposable visors should be used to prevent the rigid visor becoming contaminated.

STORAGE AND TRANSPORTATION

After use, to protect it from dust, thoroughly clean and dry the Pro-Visor and place in a storage bag out of direct sunlight at -30°C to +60°C.

To maintain the integrity of the Pro-Visor when in transportation or storage, it should be adjusted as shown in the sequence below. This way all of the load from the Pro-Visor is taken up by the adjustable headpiece and not the acetate visor, thereby reducing any distortion to this part.



1. Holding Pro-Visor as shown.
2. Rotate adjustable headpiece.
3. Place in to storage bag and store in the orientation as shown.



CAUTION

Do not hang the Pro-Visor by the breathing air tube.

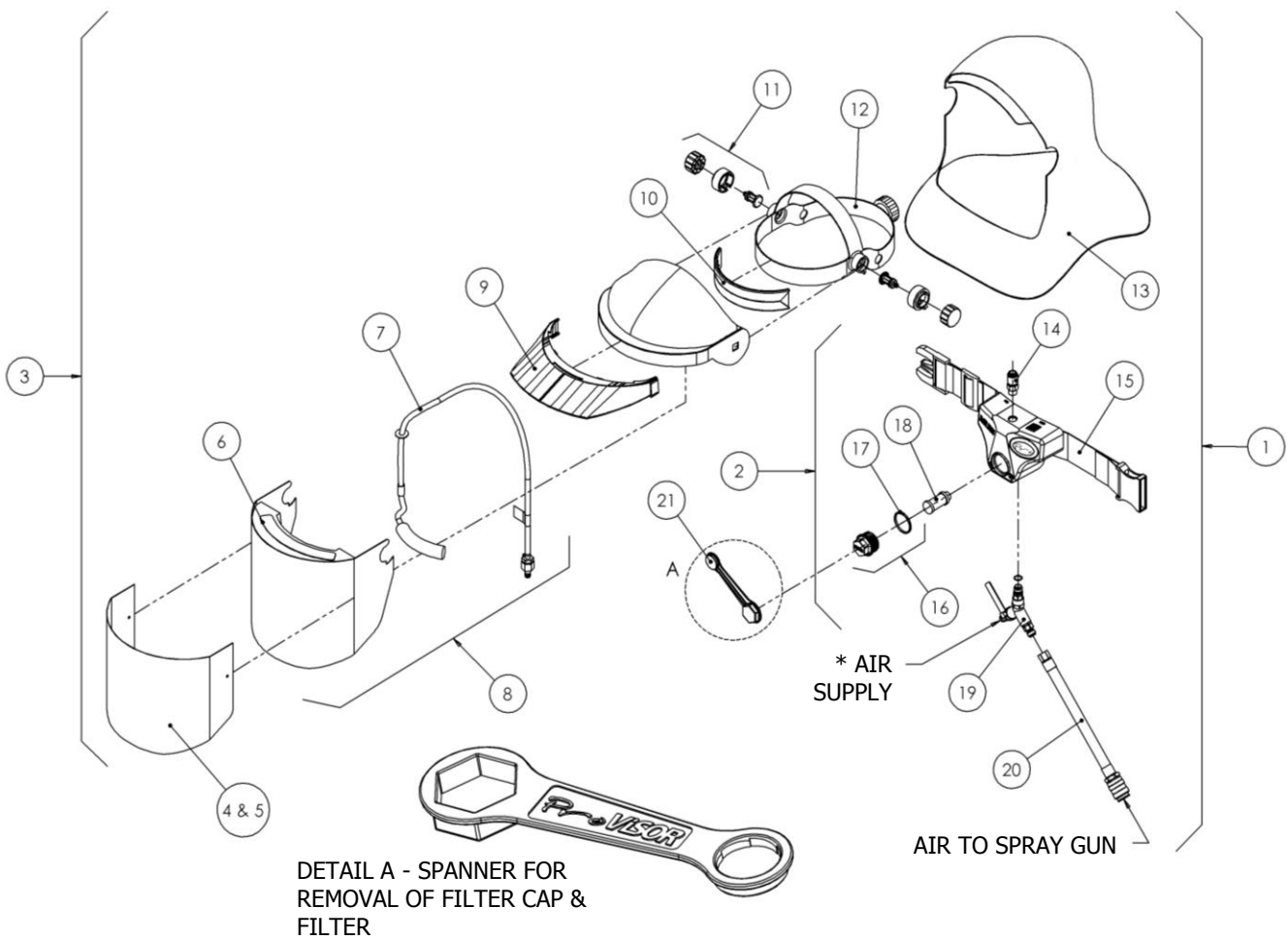
REPLACEMENT PARTS

ITEM No.	PART No.	DESCRIPTION
1	PROV-650	PRO-VISOR COMPLETE UNIT
2	PROV-37-K	BELT AND REGULATOR
3	PROV-41-K	VISOR HEAD PIECE & BREATHING AIR TUBE
4	PROV-36-K10	TEAR-OFF VISORS PACK OF 10
5	PROV-36-K50	TEAR-OFF VISORS PACK OF 50
6	PROV-17-K	RIGID ACETATE VISOR & FACE SEAL
7	PROV-24-K	BREATHING AIR TUBE COMPLETE
8	PROV-38-K	RIGID ACETATE VISOR, FACE SEAL AND BREATHING AIR TUBE
9	PROV-21-K	PEAK
10	PROV-52-K2	LINT FREE BROW BAND (PACK OF 2)
11	PROV-30-K	SPACER, STUD & KNOB (SET OF ALL SIZES)
12	PROV-40-K	ADJUSTABLE HEADPIECE
13	PROV-39-K	HOOD
14	PROV-42-K	QD CONNECTOR
15	PROV-51-K	BELT AND BUCKLE
16	PROV-31-K	FILTER CAP & SEAL
17	PROV-34-K4	FILTER CAP SEAL (PACK OF 4)
18	PROV-27-K4	FILTER ELEMENT (PACK OF 4)
19	PROV-32-K	Y-PIECE ASSEMBLY
20	PROV-406-K	1.2M HOSE (TO SPRAY GUN)

REPLACEMENT PARTS - CONTINUED

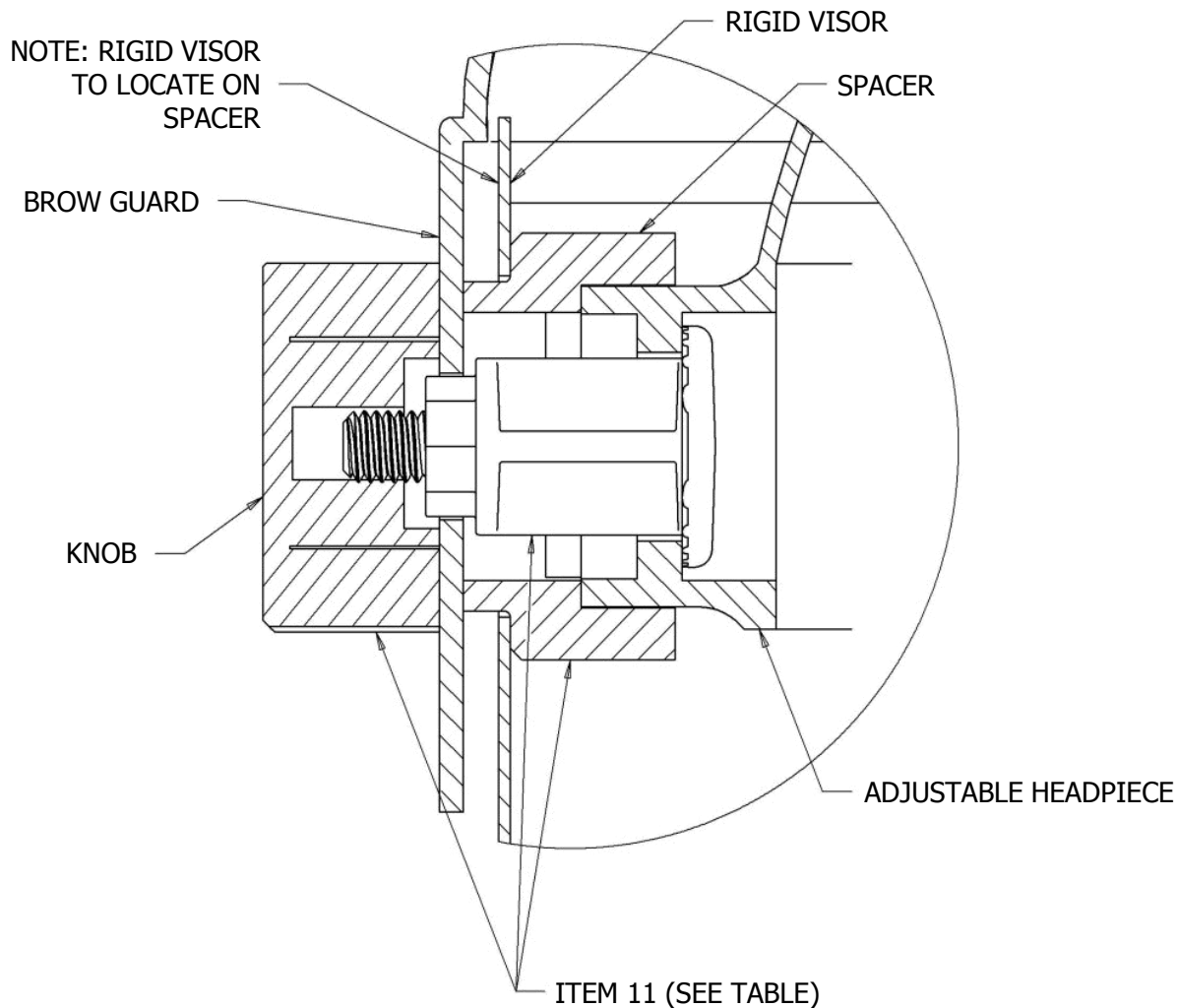
ITEM No.	PART No.	DESCRIPTION
21	SPN-12-K	SPANNER FOR FILTER & CAP
22	PROV-26-K	STORAGE BAG - NOT SHOWN
23	H-6085-QD	10M AIR HOSE - 5/16"ID MALE & FEMALE QD's - NOT SHOWN
24	H-6065-B	10M AIR HOSE - 5/16"ID, 1/4" BSP G SWIVEL F CONNECTORS - NOT SHOWN

EXPLODED VIEW



* SEE START UP SECTION FOR PRESSURES

HEAD WIDTH ADJUSTMENT



HEAD WIDTH ADJUSTMENT	
SPACER/STUD COLOUR	HEAD SIZE
RED	SMALL
YELLOW	MEDIUM
GREEN	LARGE
BLACK (NO SPACER REQUIRED)	X-LARGE

WARRANTY POLICY

DeVilbiss products are covered by Finishing Brands one year materials and workmanship limited warranty. The use of any parts or accessories, from a source other than Finishing Brands, will void all warranties. For specific warranty information please contact the closest Finishing Brands location listed below.

Finishing Brands reserves the right to modify equipment specifications without prior notice. DeVilbiss®, Ransburg®, MS®, BGK®, and Binks® are registered trademarks of Carlisle Fluid Technologies, Inc., dba Finishing Brands.

© 2016 Carlisle Fluid Technologies, Inc., dba Finishing Brands.
All rights reserved.



DeVilbiss is part of Finishing Brands, a global leader in innovative spray finishing technologies. For technical assistance or to locate an authorised distributor, contact one of our international sales and customer support locations below.

USA/Canada

www.devilbiss.com
info@carlisleleft.com
Toll Free Tel: 1-800-992-4657
Toll Free Fax: 1-888-246-5732

Mexico

www.carlisleleft.com.mx
ventas@carlisleleft.com.mx
Tel: 011 52 55 5321 2300
Fax: 011 52 55 5310 4790

Brazil

www.devilbiss.com.br
vendas@carlisleleft.com.br
Tel: +55 11 5641 2776
Fax: +55 11 5641 1256

United Kingdom

www.carlisleleft.eu
info@carlisleleft.eu
Tel: +44 (0)1202 571 111
Fax: +44 (0)1202 573 488

France

www.carlisleleft.eu
info@carlisleleft.eu
Tel: +33(0)475 75 27 00
Fax: +33(0)475 75 27 59

Germany

www.carlisleleft.eu
info@carlisleleft.eu
Tel: +49 (0) 6074 403 1
Fax: +49 (0) 6074 403 281

China

www.carlisleleft.com.cn
mkt@carlisleleft.com.cn
Tel: +8621-3373 0108
Fax: +8621-3373 0308

Japan

www.ransburg.co.jp
overseas-sales@carlisleleft.co.jp
Tel: 081 45 785 6421
Fax: 081 45 785 6517

Australia

www.carlisleleft.com.au
sales@carlisleleft.com.au
Tel: +61 (0) 2 8525 7555
Fax: +61 (0) 2 8525 7575

